

### ABOUT

The ScanStone VariStar is a machine for varying conditions and for varying output. This machine has the same configuration as the EcoStar but the 6 rows of centre stars open and close to vary the gap. This reduces running costs when the stars begin to wear.



### BASE PRICE

**4215 SDB VS** 1540mm working width

**4217 SDB VS** 1740mm working width

### STANDARD

*Various features come as standard*



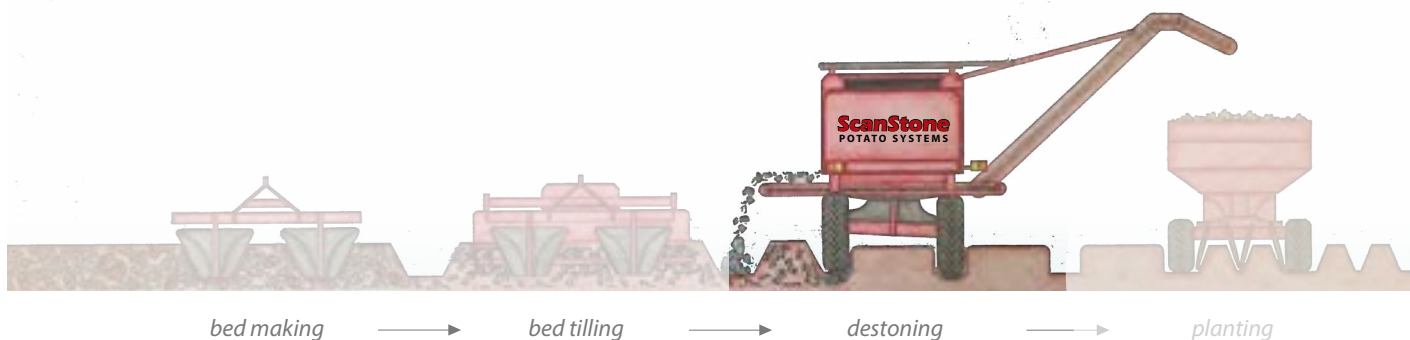
### ADVANCED CONTROL SYSTEM

The control system comes with display box, machine controller and harness. The harness is fully armoured and waterproof with all super seal and Deuch connectors. The controller is extensively tested in all temperatures and conditions and comes with various numbers of mother boards. The display features 11 soft keys and an encoder for increased functionality. The joysticks are proportionally controlled which have integrated buttons on them. The system is available in several languages and the control box has a colour screen with brightness control.

# DESTONING ●

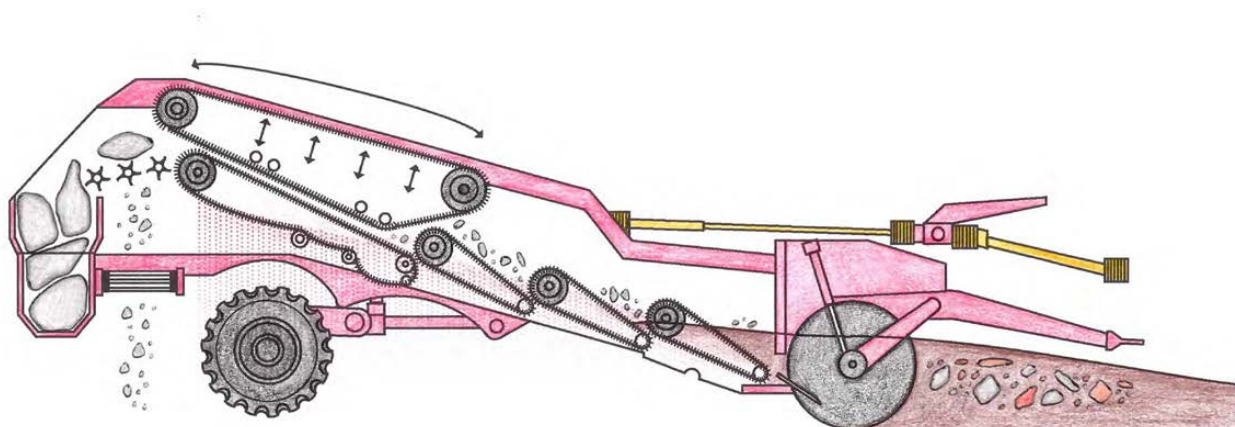
## THE PROCESS

Destoners largely cultivate to a depth of between 10 and 18 inches. This means that it can produce a graded amount of soil to these depths. All the clods, stones and soil goes into the front of the destoner through an intake web. The choice of web pitch, or star configuration will depend firstly on the forward speed of the machine, the quality of the graded soil and the depth of the finished bed. Using webs to destone will always give a consistent grade of soil, however output can be limited if ground is wet or full of grass fibre. The star system is slightly more complicated to operate, whereby the finished bed is changeable, subject to the forward speed of the machine, the RPM speed of the tractor and the amount of soil in the machine at any one time. The stars generally perform well in grassy conditions, wet sandy conditions or heavy clay conditions.



## OPEN FRONT SYSTEM

The ScanStone destoner open front system won a silver medal in the technical innovation awards in 2012, and then onto a gold medal for converting this innovation into a commercial success. The key feature to the open front system on the ScanStone is the large front discs which are hydraulically controlled. The pressure can be set by the operator, depending on the ground conditions and the discs will always float to the contour of the ground. The share system can be multi-blade or full width. The front intake web has had years of development which makes it a key player in the intake of the machine. The digger web has bumped end rod bars, wide bands, high bar, and inboard roller carriers. This all means the life of the web is second to none.



## CONFIGURATIONS

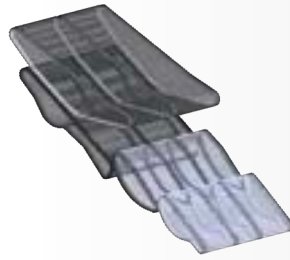
The ScanStone destoner range comprises of six models. Starting with the 3 webber, which is a lightweight nimble machine for smaller fields, we have 4 webber, 5 webber S and 5 webber L in the web category of our machines. We also have a fixed star machine and a vari-star machine. Each machine can come with various specifications and with or without a stone box.

All machines apart from the 3 webber can have the stone removal elevator. See [page 46](#).



## MODELS & DATA TABLE

### 3 WEBBER



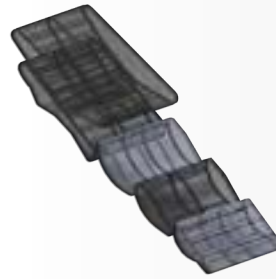
4900 kg  
5040 kg



120 hp

- Light, loamy soil
- Med-high stone content
- Average Speed 2-4kph
- Seed Potatoes/Carrots
- Smaller Fields/Headlands

### 4 WEBBER



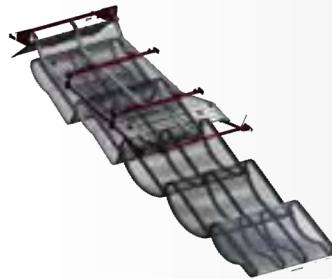
4845 kg  
5900 kg



140 hp

- Light, loamy soil
- Med-high stone content
- Average Speed 3-5kph
- Seed Potatoes/Carrots
- Smaller Fields/Headlands
- Tractors with Low HP

### 5 WEBBER S



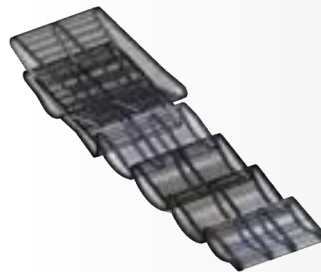
5070 kg  
5420 kg



140 hp

- Light/Heavy loamy soil
- High stone content
- Average Speed 3-5kph
- Seed Potatoes/Carrots
- Medium Sized Fields
- Average Horsepower

### 5 WEBBER L



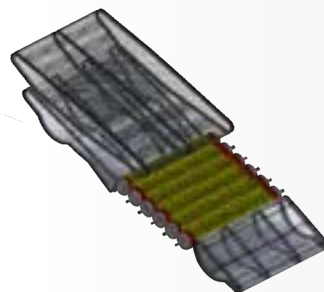
5630 kg  
6600 kg



160 hp

- Loamy/Light Clay soil
- High stone/clod content
- Average Speed 4-7kph
- Seed Potatoes/Carrots
- Larger Fields
- Higher Horsepower

### ECOSTAR



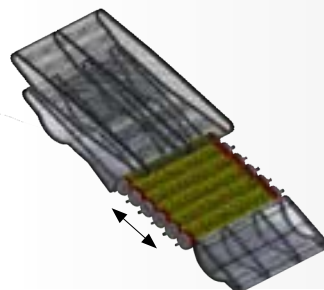
5520 kg  
6050 kg



160 hp

- Heavy Clay/Sandy soil
- Med /High stone content
- Average Speed 4-7kph
- Ware Potatoes
- All size fields

### VARISTAR

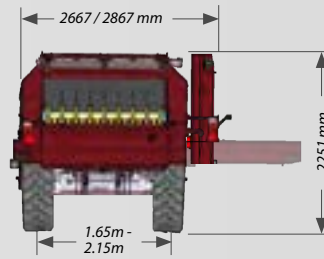
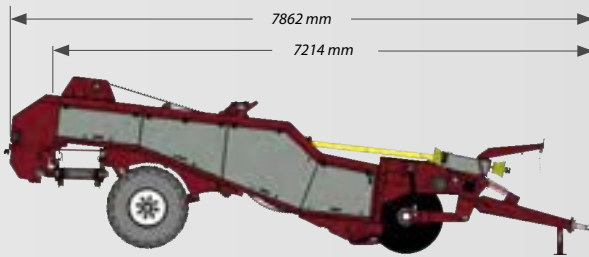


5520 kg  
6050 kg



160 hp

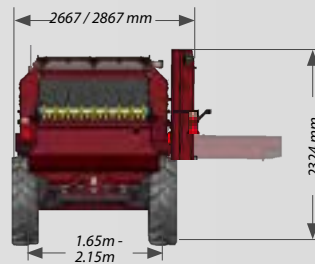
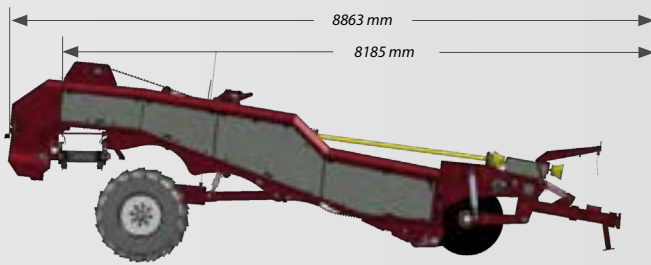
- Heavy Clay/Sandy soil
- Med /High stone content
- Average Speed 4-7kph
- Ware/Seed Potatoes
- All size fields



**3 WEBBER**

**3**

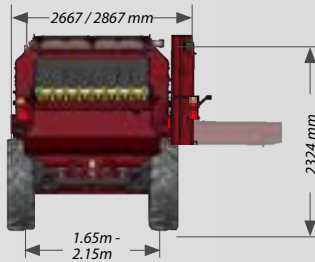
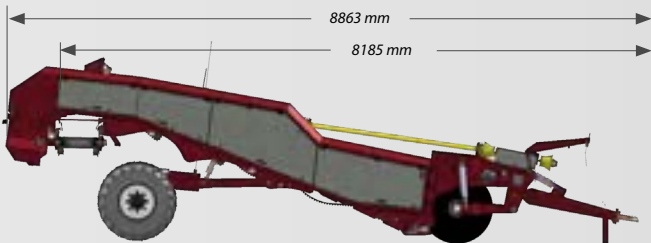
- UN-3215 1535mm
- UN-3217 1735mm



**4 WEBBER**

**4**

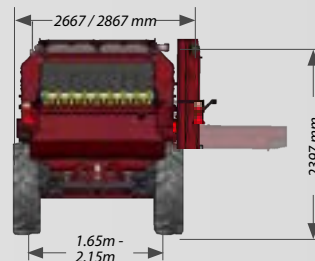
- UN-4215 1535mm
- UN-4217 1735mm



**5 WEBBER S**

**5S**

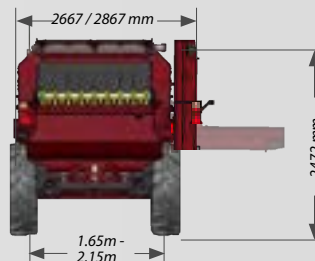
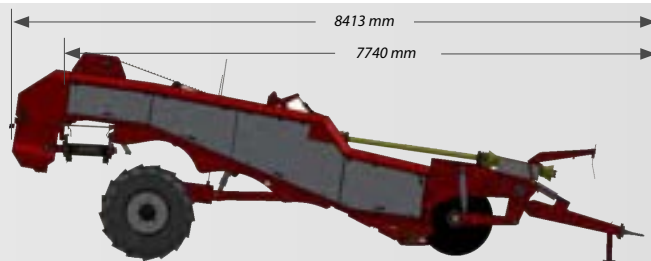
- UN-5215S 1535mm
- UN-5217S 1735mm



**5 WEBBER L**

**5L**

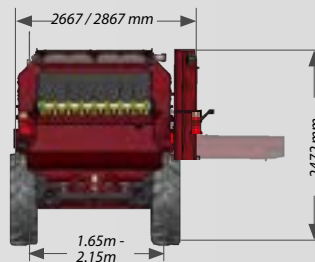
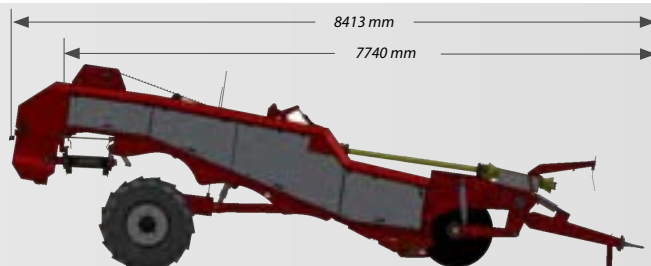
- UN-5215L 1535mm
- UN-5217L 1735mm



**ECOSTAR**

**ES**

- UN-6215ES 1535mm
- UN-6217ES 1735mm



**VARISTAR**

**VS**

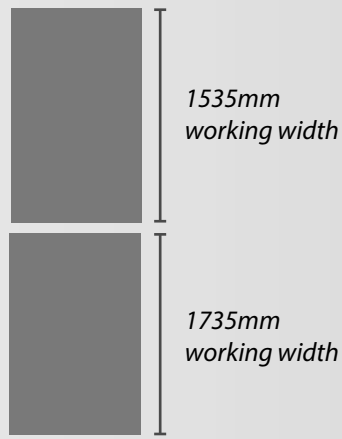
- UN-6215VS 1535mm
- UN-6217VS 1735mm



**BASE MODEL**

There are two working widths of destoner available in the ScanStone range; 1540mm wide and 1740mm wide. The most common width for preparing the soil for potatoes is 1540mm width, combined with a wheel track setting of 1.8m. This leaves enough room for 2 or 3 rows of potatoes to be planted and lifted with a standard 2 row harvester. The wider machine is more often used for planting carrots, and normally has a wheel track width of 2 meters. Both the wide and narrow machines are available with the same options.

- **UN-3215** 3 Webber
- **UN-4215** 4 Webber
- **UN-5215S** 5 Webber S
- **UN-5215L** 5 Webber L
- **UN-6215ES** EcoStar
- **UN-6215VS** VariStar
  
- **UN-3217** 3 Webber
- **UN-4217** 4 Webber
- **UN-5217S** 5 Webber S
- **UN-5217L** 5 Webber L
- **UN-6217ES** EcoStar
- **UN-6217VS** VariStar



**MANUAL / MACHINE STICKERS**

The country of use kit consists of a hardcopy of the user manual and machine stickers in the country's spoken language. The control box is already programmed from factory to accommodate 10 different languages.

- English
- French

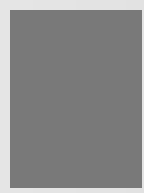
Standard					
3	4	SS	5L	ES	VS



**COUNTRY APPROVAL**

The country approval kit consists of any equipment for travelling on the road with the machine safely and legally in that country. It allows the customer to obtain the appropriate certificate from the country's Transport Agency. Brakes must be added separately.

- France
- Germany
- Czech Republic
- Austria
- Europe



Option					
3	4	SS	5L	ES	VS



**ADVANCED CONTROL SYSTEM**

All destoners come with an advanced control system which includes a cab control box, advanced ECU located on the machine, and a heavy duty harness. The control box is available in any language. It is designed, programmed and built in-house at the ScanStone factory, so improvements can be quickly and easily made to accommodate the operators needs and preferences. The control box has a number of automatic functions, including the HMS (Headland Management System). When the HMS button is pressed, the share is lowered to the pre-set depth, the discs are lowered, the scrubber web is activated, the cross conveyor starts turning in the appropriate direction and the wheels return to their central position.

- **KIT-0313**

Standard					
3	4	SS	5L	ES	VS



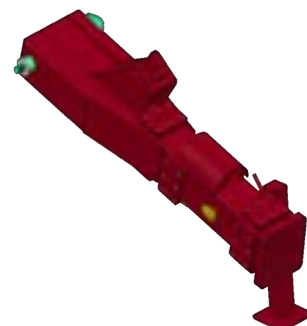
### STANDARD DRAWBAR (WITHOUT PROTECTION)

The newly upgraded drawbar features an 8-hole attachment plate, and a drawbar stand. The drawbar has a single-acting ram and a depth sensor at the side which moves as the drawbar is lifted up and down, so as to measure the distance between the share and the drawbar hitch. This position can be registered so that the share returns to exactly the same position at the start of each row.

- **KIT-0001**

Standard

3 | 4 | 5S | 5L | ES | VS



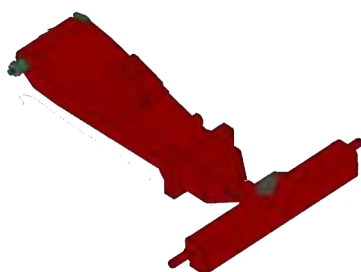
### HYDRAULIC SHOCK DRAWBAR

The hydraulic shock drawbar can dramatically reduce the strain and damage on the machine and tractor when the share encounters a large stone or immovable object. It works with an accumulator and relieves the front of the machine from the initial shock of the stone. The drawbar has a pre-drilled hole for the fitment of a sensor which can connect to the tractor and will stall the tractor automatically. Like the standard drawbar, the shock drawbar has an 8-hole plate for standard hitch attachments, as well as a drawbar stand.

- **KIT-0002**

Option

3 | 4 | 5S | 5L | ES | VS



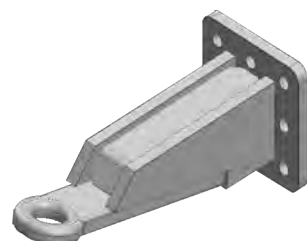
### LINKAGE HITCH

A popular option for some European countries who have ladder hitches on the rear of their tractors, the linkage hitch can be easily picked up on the lower tractor arms, and offers slightly more manoevrability when turning on headlands. The advantage of the linkage hitch is that it marginally shortens the overall length of the machine, and provides extra clearance and depth when required.

- **KIT-0003**

Option

3 | 4 | 5S | 5L | ES | VS



### HOOK HITCH

The hook hitch offers a better angle for manoevring the destoner, and prevents unnecessary strain on the tractor and machine hitching point. There is no need to remove a clevis pin which can often be tight or difficult to remove; the operator can pick up or drop off the machine effortlessly. The main advantage of the hook hitch is that it sits more comfortably on the tractor hook, regardless of the difference in angle.

- **UN-1953**

Standard

3 | 4 | 5S | 5L | ES | VS



### TOWING EYE

The 6-hole Scharmuller flanged towing eye is an optional hitch attachment for all destoners. It offers strength and reliability, as well as safety both on the road and in the field. The towing eye is the most popular option for attachment to tractors with piton hitches.

- **UN-06097**

Option

3 | 4 | 5S | 5L | ES | VS



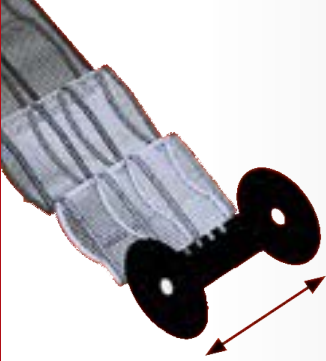
### SPOON HITCH K80

The 8-hole Scharmuller spoon hitch is the most popular option for customers in Scandinavia and Northern Europe, where the majority of tractors are fitted with ball hitches. The flanged spoon hitch offers more comfort while travelling on the road, as well as increased safety and reliability. The K80 spoon hitch couples to the 110mm ball system.

- **UN-02613**

Option

3 | 4 | 5S | 5L | ES | VS



### DISC WIDTH

The discs can be adjusted by sliding them in or out. The chosen setting depends on the track width and the width of the bed formed by the bed maker.

- **SET-001** 1.50m
- **SET-003** 1.55m (recommended)
- **SET-004** 1.60m
- **SET-005** 1.65m
- **SET-006** 1.70m
- **SET-007** 1.75m

Standard

3 | 4 | 5S | 5L | ES | VS



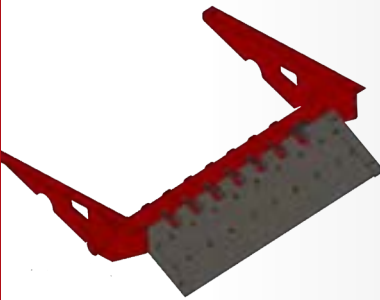
### MULTI BLADE SHARE

The multi-blade share is designed to avoid panning or compacting the soil underneath. The serrated knife edges scratch the soil and offer more drainage and aeration than a full blade share. It is comprised of 4 separate blades as well as 2 outer blades which are reversible. The separate blades mean that it is not necessary to replace the entire share at once, meaning there is less wastage of metal if not all the shares are worn. The separate blades are positioned in such a way that there is a narrower gap at the front of the share compared to the rear of the share. This prevents stones from being jammed in between the blades.

- **BOM-0033** 1540mm width
- **BOM-0034** 1740mm width

Standard

3 | 4 | 5S | 5L | ES | VS



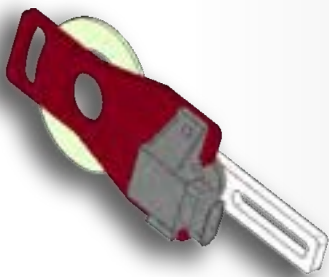
### FULL BLADE SHARE

The full blade share is extremely heavy duty and made entirely of hardox metal. It is bolted on to the share assembly and onto every arm. Like the multi-blade share, it features a reversible outer share at either side. The full blade share is better if very large stones are to be encountered, as it is a stronger more solid piece of metal. The full blade share has a standard depth of 420mm.

- **BOM-0035** 1540mm width
- **BOM-0036** 1740mm width

Standard

3 | 4 | 5S | 5L | ES | VS



### LINEAR DEPTH CONTROL

All destoners come as standard with Linear Depth Control, regardless of what other depth system is mounted on the machine additionally. The front sensor is mounted on the pivot of the drawbar and records the drawbar ram position relative to the share (the height of the share). The value is registered on the control box so that the share returns to the same position when the auto-depth is activated. The rear sensor is mounted at the rear side of the machine so that when the rear is lifted up or down, the front of the machine compensates automatically.

- **KIT-0301**

Standard

3 | 4 | 5S | 5L | ES | VS



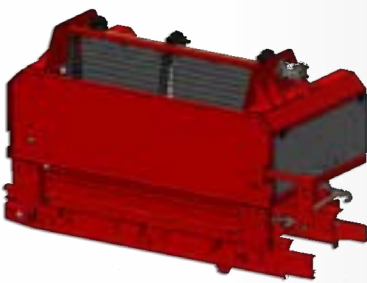
### ULTRASONIC DEPTH CONTROL

The Ultrasonic Depth System consists of a bracket and camera mounted underneath the front beam of the destoner, pointing down to the bed of soil entering into the machine. The camera senses the height of the bed and reacts accordingly, lifting the share up slightly when the bed of soil is too deep, or dropping the share in when it is too shallow. There are various adjustments that can be made depending on user preference. The frequency, range and reactivity of the signal can be adjusted as required. The linear depth system is still mounted on all machines which are equipped with an ultrasonic sensor.

- **KIT-0302**

Option

3 | 4 | 5S | 5L | ES | VS



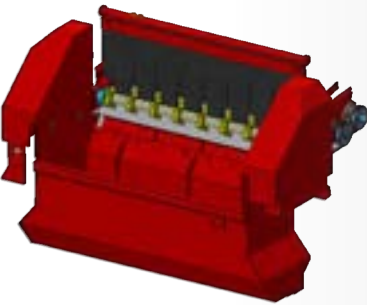
### NO STONE BOX

All destoners come as standard without a stone box. For those working in conditions with very few large stones (over 10cm diameter) a stone box is not necessary.

- **BOM-0066** 1540mm width
- **BOM-0067** 1740mm width

Standard

3 | 4 | 5S | 5L | ES | VS



### STAR TYPE STONE BOX

Destoners can be equipped with a stone box at the rear of the machine to remove large stones that are too big to place between the plantation beds. The star-type stone box consists of three star shafts which rotate to carry the stones into the stone box. The stone box can be opened and closed from the control box in the tractor cab. The capacity of the stone box is about 900kg. Stone box cameras are available to show the operator when the stone box is full. There is an alert which comes up on the control box if any of the shafts stop turning, as well as reminders for greasing.

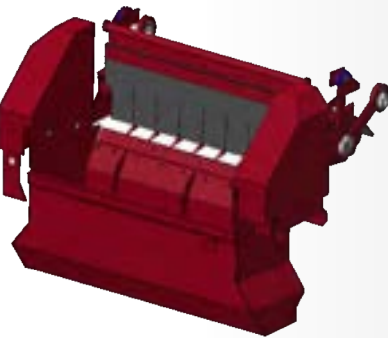
- **BOM-0068** 1540mm width
- **BOM-0069** 1740mm width
- **BOM-0072** 1540mm width
- **BOM-0722** 1740mm width

Option

3 | 4 | 5S | 5L | ES | VS

Option

3 | 4 | 5S | 5L | ES | VS



### RAKE TYPE STONE BOX

The rake-type stone box consists of a metal rake which pivots mechanically back and forward to shift the stones into the stone box.

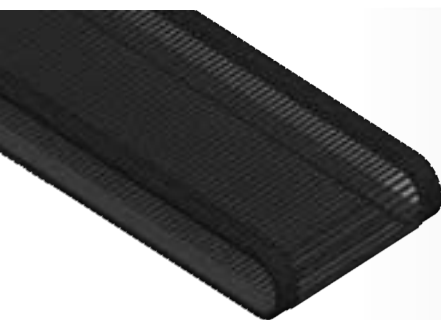
- **BOM-0070** 1540mm width 8 Tines
- **BOM-0071** 1740mm width 10 Tines
- **BOM-0711** 1540mm width 7 Tines
- **BOM-0712** 1540mm width 10 Tines
- **BOM-0712** 1540mm width 11 Tines
- **BOM-0073** 1540mm width 8 Tines
- **BOM-0721** 1740mm width 8 Tines

Option

3 | 4 | 5S | 5L | ES | VS

Option

3 | 4 | 5S | 5L | ES | VS



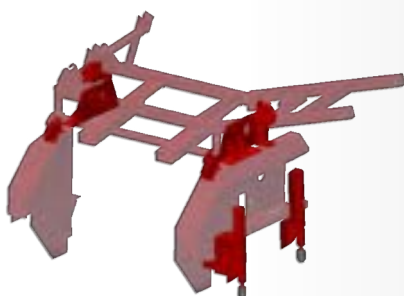
### CROSS CONVEYOR

The majority of destoners are equipped with the 20mm cross conveyor web which conveys the stone from the rear web to the ground between the plantation beds. The cross conveyor web is speed and direction adjustable, and the control box can program the cross conveyor to turn on and off automatically on the headlands, as well as reverse automatically if desired. The cross conveyor web is driven by 2 individual hydraulic motors which makes it react more quickly and perform more effectively.

- **UN-03294** 20mm Web
- **UN-03295** 28mm Web

Standard

3 | 4 | 5S | 5L | ES | VS



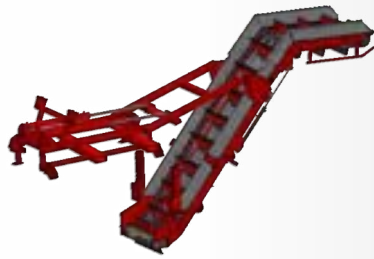
### ELEVATOR READY KIT

The elevator ready kit consists of the support brackets and hydraulic components which must be fitted if an elevator is to be mounted in the future. This is a good option for those that would like to purchase an elevator in the future, but not at the time of machine order. The cost of the elevator ready kit is deducted from the price of an elevator upon purchase of the elevator.

- **KIT-0703**

Option

3 | 4 | 5S | 5L | ES | VS



**ELEVATOR**

All destoners apart from the 3 Webber are available with a high-capacity stone removal elevator, for extracting the stone out of the soil and loading it into a trailer. This is useful when stone is needed for a road or building base. The unique length and height of the elevator allows the operator to extract stone during the plantation season, without disturbing the plantation beds. See **page 46** more more details.

- **BOM-0281**

**Option**

3	4	5S	5L	ES	VS
---	---	----	----	----	----



**WHEEL SIZE**

There are various sizes of wheels available on the destoner range.

• <b>UN-02649</b>	375/70 R20 +45	With Brakes		3	4	5S	5L	ES	VS
• <b>UN-06139</b>	375/70 R20 -15	Without Brakes							
• <b>UN-02412</b>	340/80 R20 +45	With Brakes		3	4	5S	5L	ES	VS
• <b>UN-02900</b>	340/80 R20 -15	Without Brakes							
• <b>UN-02644</b>	405/70 R24 +45	With Brakes		3	4	5S	5L	ES	VS
• <b>UN-06126</b>	405/70 R24 -15	Without Brakes							
• <b>UN-02404</b>	340/85 R24 +45	With Brakes		3	4	5S	5L	ES	VS
• <b>UN-02410</b>	340/85 R24 -15	Without Brakes							



**UNBRAKED AXLE**

All destoners come as standard with an unbraked 8-stud commercial style axle. The axle has a steering angle of 34 degrees, and features a heavy duty steering ram which self centres automatically. The steering pivot pin is fully enclosed to avoid dirt or dust entering. The axle can travel safely up to 50kph thanks to its enclosed wheel hubs and heavy-duty design.

- **KIT-0066** 1.62m-1.66m Track Width
- **KIT-0067** 1.67m-1.87m Track Width

**Standard**

3	4	5S	5L	ES	VS
---	---	----	----	----	----



**HYDRAULIC BRAKES**

In some European countries, hydraulic brakes are essential for homologation purposes when road travel is required. The 8-stud axles are commercial-style and combined with the brakes, safely allow speeds of up to 50kph.

- **KIT-0070** 1.62m-1.66m Track Width
- **KIT-0071** 1.67m-1.87m Track Width

**Option / Standard**

3	4	5S	5L	ES	VS
---	---	----	----	----	----



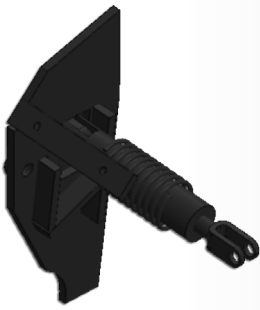
**AIR BRAKES**

Air brakes are essential in some European countries where road travel is required. The air brake system works with T12 cylinders which are fully homologated in the EU. The 8-stud axles are commercial-style and combined with the brakes, safely allow speeds of up to 50kph.

- **KIT-0070** 1.62m-1.66m Track Width
- **KIT-0071** 1.67m-1.87m Track Width

**Option**

3	4	5S	5L	ES	VS
---	---	----	----	----	----



### PARKING BRAKE

For Homologation purposes, all destoners have the option of a parking brake to prevent the machine moving while stationary. The handbrake can be applied when parking on hills or slopes to prevent any risk to the operator when they are standing near the machine.

- **KIT-0701**

Option

3 4 5S 5L ES VS



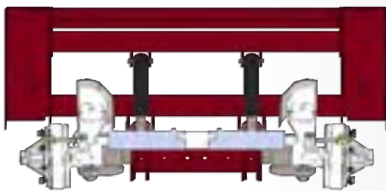
### AUTO-LEVELLING AXLE

When the cross conveyor places the stones into the adjacent row, this can effect the angle of the machine, since the wheels are sitting at different levels due to the amounts of material in the ridge. To compensate for this, two levelling rams are placed on the axle and by way of a sensor, keep the working area of the machine completely level. By keeping the working area level, it means there is an evenly distributed amount of material wearing equally on the machine. This is especially useful when working on sidelands and hills. In many parts of Europe, farmers must work across hills to prevent soil erosion. Automatic levelling is necessary in such circumstances.

- **BOM-0046**

Option / Standard

3 4 5S 5L ES VS



### FIXED AXLE

The fixed axle does not tilt from side to side. This is appropriate when the machine does not work on steep hills, or if it is not pivotal that the working area is completely flat.

- **BOM-0046**

Option / Standard

3 4 5S 5L ES VS



### GPS SENSOR BRACKET

From factory, all destoners can be fitted with a sensor bracket mounted on to the axle. This makes it much easier for the GPS supplier to connect the GPS system without dismantling the axle, or carrying out any unnecessary modifications to the machine. The GPS sensor is supplied by the GPS supplier and is plugged in to the cable. The GPS Ready Kit does not include the additional steering valve which is required depending on which GPS system is being used.

- **BOM-0704**

Option

3 4 5S 5L ES VS



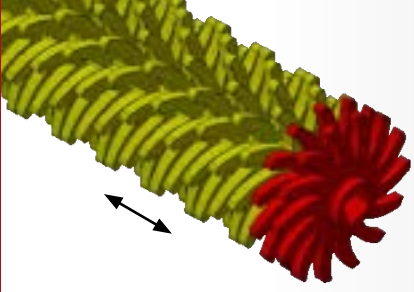
### REAR LIFT

As standard, the rear of the machine can be lifted up or lowered down to suit the field conditions and to offer a more intense separation in heavier conditions. When working downhill, the soil flows more easily into the machine when the rear is fully down. There is a sensor at the rear of the machine which automatically compensates the position of the share when the rear is lifted or lowered. The operator can easily see the position of the rear with the help of a guide stick mounted on the back of the machine. There are two settings from factory.

- **SET-011** *Highest Position Hole*
- **SET-012** *Lowest Position Hole*

Standard

3 4 5S 5L ES VS

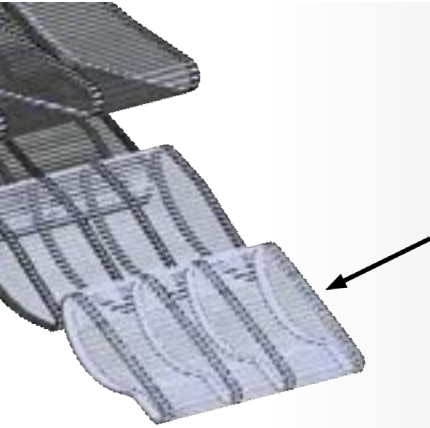


**STAR SPACERS**

- |   |                 |                 |                |
|---|-----------------|-----------------|----------------|
|   | 1535mm          | 1735mm          |                |
| • | <b>KIT-0265</b> | <b>KIT-0269</b> | 40 mm Spacer   |
| • | <b>KIT-0266</b> | <b>KIT-0270</b> | 42.5 mm Spacer |
| • | <b>KIT-0267</b> | <b>KIT-0271</b> | 45 mm Spacer   |

**Standard**

3	4	5S	5L	ES	VS
---	---	----	----	----	----

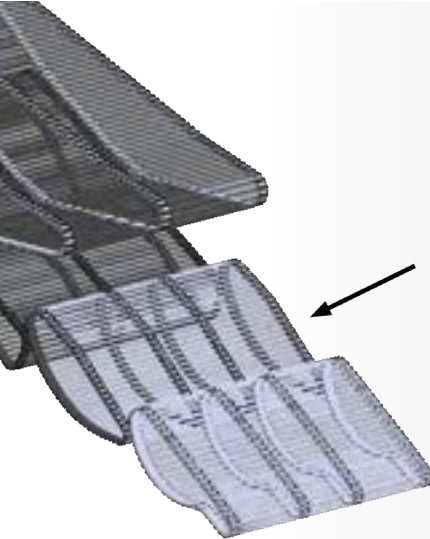


**WEB PITCHES - FIRST WEB**

- |   |                 |                 |  |
|---|-----------------|-----------------|--|
|   | 1535mm          | 1735mm          |  |
| • | <b>UN-04335</b> | <b>UN-04697</b> | 28MM 4-BAND 1ST BE HD                      |
| • | <b>UN-04524</b> | <b>UN-04357</b> | 28MM 4-BAND 1ST BE H-TYPE                  |
| • | <b>UN-04336</b> | <b>UN-04530</b> | 32MM 4-BAND 1ST BE HD                      |
| • | <b>UN-04525</b> | <b>UN-04531</b> | 32MM 4-BAND 1ST BE H-TYPE                  |
| • | <b>UN-04337</b> | <b>UN-04533</b> | 37MM 4-BAND 1ST BE HD <i>(recommended)</i> |
| • | <b>UN-04696</b> | <b>UN-04356</b> | 37MM 4-BAND 1ST BE HD EXTRA HIGH BARS      |
| • | <b>UN-04526</b> | <b>UN-04358</b> | 37MM 4-BAND 1ST BE H-TYPE                  |
| • | <b>UN-04338</b> | <b>UN-04532</b> | 43MM 4-BAND 1ST BE HD                      |
| • | <b>UN-04527</b> | <b>UN-04359</b> | 43MM 4-BAND 1ST BE H-TYPE                  |

**Standard**

3	4	5S	5L	ES	VS
---	---	----	----	----	----

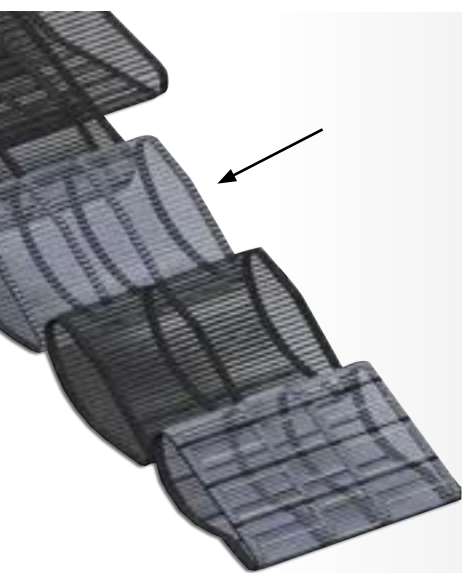


**WEB PITCHES - 2ND WEB**

- |   |                 |                 |                                     |
|---|-----------------|-----------------|-------------------------------------|
|   | 1535mm          | 1735mm          |                                     |
| • | <b>UN-03907</b> |                 | 28MM 3-BAND HD                      |
| • | <b>UN-04262</b> |                 | 28MM 3-BAND H-TYPE                  |
| • | <b>UN-03908</b> |                 | 32MM 3-BAND HD                      |
| • | <b>UN-04263</b> |                 | 32MM 3-BAND H-TYPE                  |
| • | <b>UN-03909</b> |                 | 37MM 3-BAND HD                      |
| • | <b>UN-04264</b> |                 | 37MM 3-BAND H-TYPE                  |
| • | <b>UN-03910</b> |                 | 43MM 3-BAND HD                      |
| • | <b>UN-04265</b> |                 | 43MM 3-BAND H-TYPE                  |
| • | <b>UN-03901</b> | <b>UN-03919</b> | 28MM 4-BAND HD                      |
| • | <b>UN-04256</b> | <b>UN-04280</b> | 28MM 4-BAND H-TYPE                  |
| • | <b>UN-03902</b> | <b>UN-03920</b> | 32MM 4-BAND HD <i>(recommended)</i> |
| • | <b>UN-04257</b> | <b>UN-04281</b> | 32MM 4-BAND H-TYPE                  |
| • | <b>UN-03903</b> | <b>UN-03921</b> | 37MM 4-BAND HD <i>(recommended)</i> |
| • | <b>UN-04258</b> | <b>UN-04282</b> | 37MM 4-BAND H-TYPE                  |
| • | <b>UN-03904</b> | <b>UN-03922</b> | 43MM 4-BAND HD                      |
| • | <b>UN-04259</b> | <b>UN-04283</b> | 43MM 4-BAND H-TYPE                  |

**Standard**

3	4	5S	5L	ES	VS
---	---	----	----	----	----

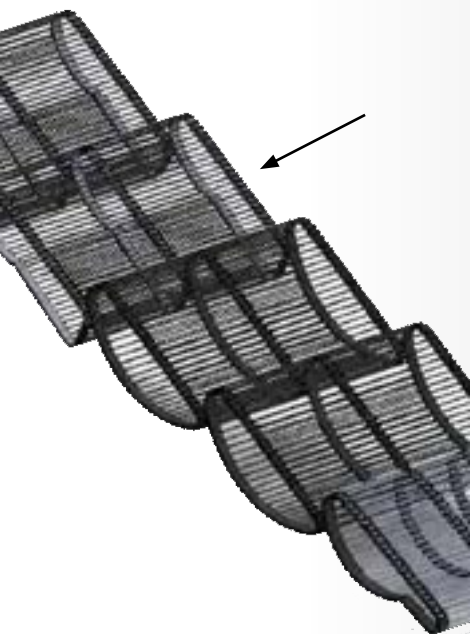


**WEB PITCHES - 3RD WEB**

- |   |                 |                 |                                     |
|---|-----------------|-----------------|-------------------------------------|
|   | 1535mm          | 1735mm          |                                     |
| • | <b>UN-03907</b> |                 | 28MM 3-BAND HD                      |
| • | <b>UN-04262</b> |                 | 28MM 3-BAND H-TYPE                  |
| • | <b>UN-03908</b> |                 | 32MM 3-BAND HD                      |
| • | <b>UN-04263</b> |                 | 32MM 3-BAND H-TYPE                  |
| • | <b>UN-03909</b> |                 | 37MM 3-BAND HD                      |
| • | <b>UN-04264</b> |                 | 37MM 3-BAND H-TYPE                  |
| • | <b>UN-03910</b> |                 | 43MM 3-BAND HD                      |
| • | <b>UN-04265</b> |                 | 43MM 3-BAND H-TYPE                  |
| • | <b>UN-03901</b> | <b>UN-03919</b> | 28MM 4-BAND HD                      |
| • | <b>UN-04256</b> | <b>UN-04280</b> | 28MM 4-BAND H-TYPE                  |
| • | <b>UN-03902</b> | <b>UN-03920</b> | 32MM 4-BAND HD <i>(recommended)</i> |
| • | <b>UN-04257</b> | <b>UN-04281</b> | 32MM 4-BAND H-TYPE                  |
| • | <b>UN-03903</b> | <b>UN-03921</b> | 37MM 4-BAND HD <i>(recommended)</i> |
| • | <b>UN-04258</b> | <b>UN-04282</b> | 37MM 4-BAND H-TYPE                  |
| • | <b>UN-03904</b> | <b>UN-03922</b> | 43MM 4-BAND HD                      |
| • | <b>UN-04259</b> | <b>UN-04283</b> | 43MM 4-BAND H-TYPE                  |

**Standard**

3	4	5S	5L	ES	VS
---	---	----	----	----	----



### WEB PITCHES - 4TH WEB (5 Webber S)

1535mm 1735mm

- **UN-04116** 28MM 3-BAND HD
- **UN-04274** 28MM 3-BAND H-TYPE
- **UN-04117** 32MM 3-BAND HD
- **UN-04275** 32MM 3-BAND H-TYPE
- **UN-04118** 37MM 3-BAND HD
- **UN-04276** 37MM 3-BAND H-TYPE
- **UN-04119** 43MM 3-BAND HD
- **UN-04277** 43MM 3-BAND H-TYPE
- **UN-04110** 28MM 4-BAND HD
- **UN-04292** 28MM 4-BAND H-TYPE
- **UN-04111** 32MM 4-BAND HD
- **UN-04293** 32MM 4-BAND H-TYPE
- **UN-04112** 37MM 4-BAND HD
- **UN-04294** 37MM 4-BAND H-TYPE
- **UN-04113** 43MM 4-BAND HD
- **UN-04295** 43MM 4-BAND H-TYPE

(recommended)

(recommended)

Standard					
3	4	5S	5L	ES	VS



### WEB PITCHES - 4TH WEB (5 Webber L)

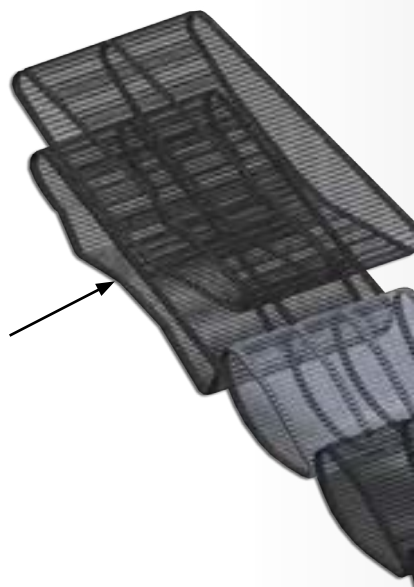
1535mm 1735mm

- **UN-03907** 28MM 3-BAND HD
- **UN-04262** 28MM 3-BAND H-TYPE
- **UN-03908** 32MM 3-BAND HD
- **UN-04263** 32MM 3-BAND H-TYPE
- **UN-03909** 37MM 3-BAND HD
- **UN-04264** 37MM 3-BAND H-TYPE
- **UN-03910** 43MM 3-BAND HD
- **UN-04265** 43MM 3-BAND H-TYPE
- **UN-03901 UN-03919** 28MM 4-BAND HD
- **UN-04256 UN-04280** 28MM 4-BAND H-TYPE
- **UN-03902 UN-03920** 32MM 4-BAND HD
- **UN-04257 UN-04281** 32MM 4-BAND H-TYPE
- **UN-03903 UN-03921** 37MM 4-BAND HD
- **UN-04258 UN-04282** 37MM 4-BAND H-TYPE
- **UN-03904 UN-03922** 43MM 4-BAND HD
- **UN-04259 UN-04283** 43MM 4-BAND H-TYPE

(recommended)

(recommended)

Standard					
3	4	5S	5L	ES	VS



### WEB PITCHES - REAR WEB

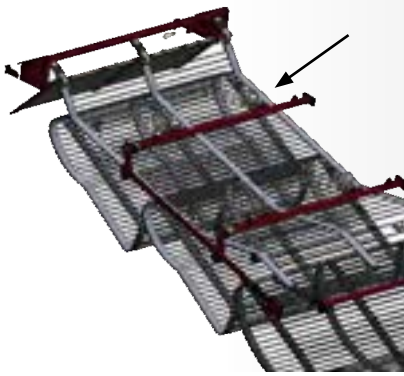
1535mm 1735mm

- **UN-03913** 28MM 3-BAND HD
- **UN-04268** 28MM 3-BAND H-TYPE
- **UN-03914** 32MM 3-BAND HD
- **UN-04269** 32MM 3-BAND H-TYPE
- **UN-03915** 37MM 3-BAND HD
- **UN-04270** 37MM 3-BAND H-TYPE
- **UN-03916** 43MM 3-BAND HD
- **UN-04271** 43MM 3-BAND H-TYPE
- **UN-03925** 28MM 4-BAND HD
- **UN-04286** 28MM 4-BAND H-TYPE
- **UN-03926** 32MM 4-BAND HD
- **UN-04287** 32MM 4-BAND H-TYPE
- **UN-04520 UN-03927** 37MM 4-BAND HD
- **UN-04288** 37MM 4-BAND H-TYPE
- **UN-03928** 43MM 4-BAND HD
- **UN-04289** 43MM 4-BAND H-TYPE

(recommended)

(recommended)

Standard					
3	4	5S	5L	ES	VS



### FIXED SCRUBBER WEB

The 5 Webber S is the only destoner which comes as standard with a fixed scrubber web, which is a non-rotating web hanging above the rear web. This fixed scrubber web has pressure pad rollers which can be lifted or lowered to offer more or less pressure on the rear webs, in order to break down clods travelling up the machine. This type of scrubber web can be fitted onto all other destoner models, if extremely large stones are to be encountered and a dual-directional hydraulic scrubber web is not desired.

- **BOM-0076**

Standard / Option

3 | 4 | 5S | 5L | ES | VS



### HYDRAULIC SCRUBBER WEB

All machines with a long web at the rear come as standard with a hydraulically driven scrubber web, which is a rotating web above the rear web, which operates in both directions and at a number of speeds. This means that in heavy soil, the scrubber web can be reversed to break down any stubborn clod, and in stony soil, the web can follow the direction of the flow, and help the stones up the machine. The scrubber web height can be adjusted from the tractor cab to allow larger stones to get carried into the machine, and the pressure of the web can be changed depending on the level of separation desired.

- **BOM-0700**

Standard

3 | 4 | 5S | 5L | ES | VS



### SWEDISH-STYLE SCRUBBER WEB

The Swedish-style scrubber web works in the same way as the hydraulic dual-direction scrubber web, but it is longer in length to accommodate large boulders travelling up the rear of the machine. This scrubber web is not compatible with an elevator.

- **BOM-0715**

Option

3 | 4 | 5S | 5L | ES | VS



### STONE BOX CAMERA

The stone box camera gives a view of the stone box and is useful to show the operator when the stone box is full and needs to be emptied. The camera kit includes a screen for inside the tractor cab, separate from the control box. The camera is positioned so that both the star shafts and the box are visible to the operator. Although an alert is given to the operator when a star shaft stops turning, it is useful to know if there is a stubborn stone resting on the star shafts and causing unnecessary wear.

- **BOM-0297** Camera + Monitor
- **BOM-0719** Additional Camera

Option

3 | 4 | 5S | 5L | ES | VS



### WORKING LIGHTS

Worklights are a useful addition to the destoner when it is necessary to work at night. The work lighting kit consists of two LED lamps which are positioned at each side of the machine frame, so that the operator can see the wheel position as well as the cross conveyor. The worklights can be turned on or off using a soft key on the cab control box. When visibility is poor, the worklights can help keep the machine work straight and ensure that the trash is being deposited correctly.

- **BOM-0298** Pair

Option

3 | 4 | 5S | 5L | ES | VS



### LED ROAD LIGHTING KIT

All destoners come complete with a fully EU-homologated LED road lighting kit, to ensure maximum safety when travelling on the roads. The number plate light is positioned on the left hand side in accordance with EU regulations. All warning and marker lights are mounted on flexible rubber supports to avoid any breakages in the event of contact with another object.

- **BOM-0888**

Standard

3 4 5S 5L ES VS

### SOFT DRIVE

When travelling long distances on the road at a high speed, it can be quite straining on the machine and the tractor. The Soft Drive system consists of 1 or 2 accumulators which bear the stress and strain of a long, bumpy journey, as well as ensuring optimum comfort for the driver.



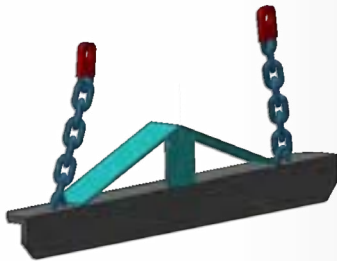
- **BOM-0262** *Front Soft Drive*
- **BOM-0263** *Rear Soft Drive*

Option / Standard

3 4 5S 5L ES VS

### LEVELLING BAR

The ScanStone web machines traditionally leave a slight dip in the middle of the bed, due to the web band layout, and the axle. For those planting in two rows, this shape is advantageous, as the planter follows the bed more easily, and there is less risk of a blockage where the planter centre share divides the soil. However, when planting other vegetables beside potatoes, or planting in three rows, it is necessary to create a flat even bed. The levelling bar achieves this, as the flat piece of metal hangs freely from the axle, without digging into the soil.



- **UN-17845**

Option

3 4 5S 5L ES VS

### WEB CLEANERS

Web cleaners are useful when working in grassy/fibrous conditions. The bars of metal sit on the web shaft and clean in between the web bars as the web rotates round the shaft. The web cleaners should only be placed on the middle webs.



- 1 Pair

Option

3 4 5S 5L ES VS

### CENTRALISED GREASE SYSTEM

The centralised greasing system consists of several grease banks situated around the machine which bring together all the hoses running from the bearings and grease points. This prevents the operator from overlooking any of the bearings which are barely visible or accessible, prolonging the life of the machine and its components. This centralised grease system is referred to as 'easy grease' and while it is not automatic, it speeds up the maintenance process, while offering the precision and reliability which are sometimes missing from an automatic system.



- **BOM-0999**

Option / Standard

3 4 5S 5L ES VS

### UNIQUE PARTS MANUAL

Each individual destoner comes as standard with a unique parts manual which features the exact specifications and equipment which is mounted on the machine before it leaves the factory. Customers are able to quote their serial number to their parts provider, to ensure that the correct parts are ordered. Not only does this speed up the ordering process, but avoids mistakes.

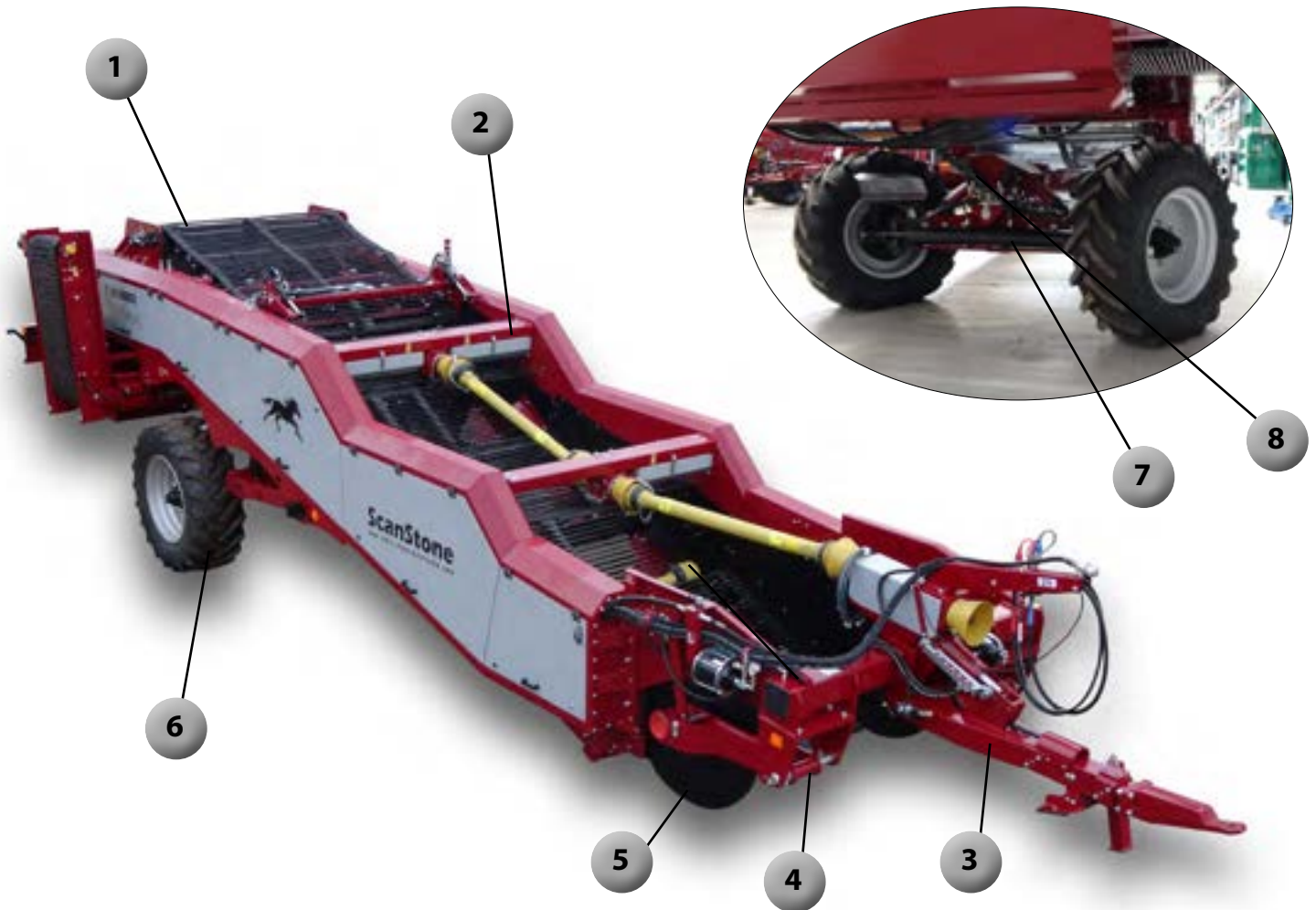


Standard

3 4 5S 5L ES VS

# KEY FEATURES

## DESTONER



- 1** **Hydraulically controlled scrubber web** with speed, direction and pressure control
- 2** Split web drive through **2 gearboxes**
- 3** **Triple** position front lift ram for **depth versatility**
- 4** **Intake discs** which are width adjustable to allow soil to enter **freely** into the machine
- 5** Hydraulically controlled front intake discs, pressure adjustable. This allows the operator to release trapped stones from the tractor seat.
- 6** 24" wheels for large rolling circumference
- 7** Heavy duty **commercial style axle** as standard with **33 degree steering angle**
- 8** **Air / Oil brakes** available

There are two models of Star Destoner:

- **EcoStar = 6 rows of fixed stars**
- **VariStar = 7 rows of adjustable stars**

Both models come as standard with a front digging web, a rear web, and a hydraulic powered scrubber web, as well as a range of optional extras.



9 **Carbon fibre belt drive** for strength and ease of maintenance

10 **Safety** door slam protectors

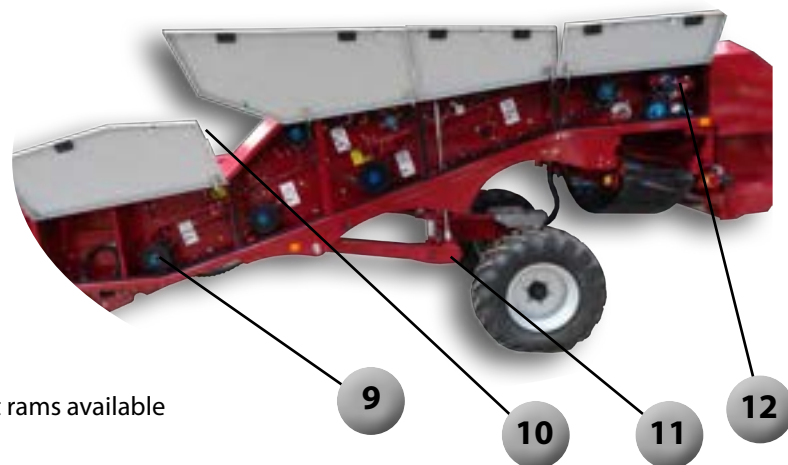
11 Auto-Levelling Axle available

12 **Progressive hydraulics**

13 2 position rear lift rams and high lift rams available

14 Large capacity **stone box** with choice of **stars** and quick-change shafts or **rake** and camera

15 **LED lights** as standard to meet road regulations



### ABOUT

Since 2017, when the new ScanStone elevator was released, there have been some marked improvements. The top part of the elevator is now a goose-neck and is able to be controlled up and down with hydraulics. The width is improved and the height of the flights. The key change to the elevator is that the discharge point is now directly in the centre of the second bed, meaning that a cart or trailer can be filled easily without the need for the trailer or tractor to be running on separated beds. This means two things; The trailer tractor is running on a hard surface and not in soft ground, and the separated beds are left undisturbed should the potato planting process follow on immediately afterwards.



This elevator can be attached and removed using a forklift and 4 latches normally taking **five minutes**.



BED MAKERS

BED TILLERS

DESTONERS

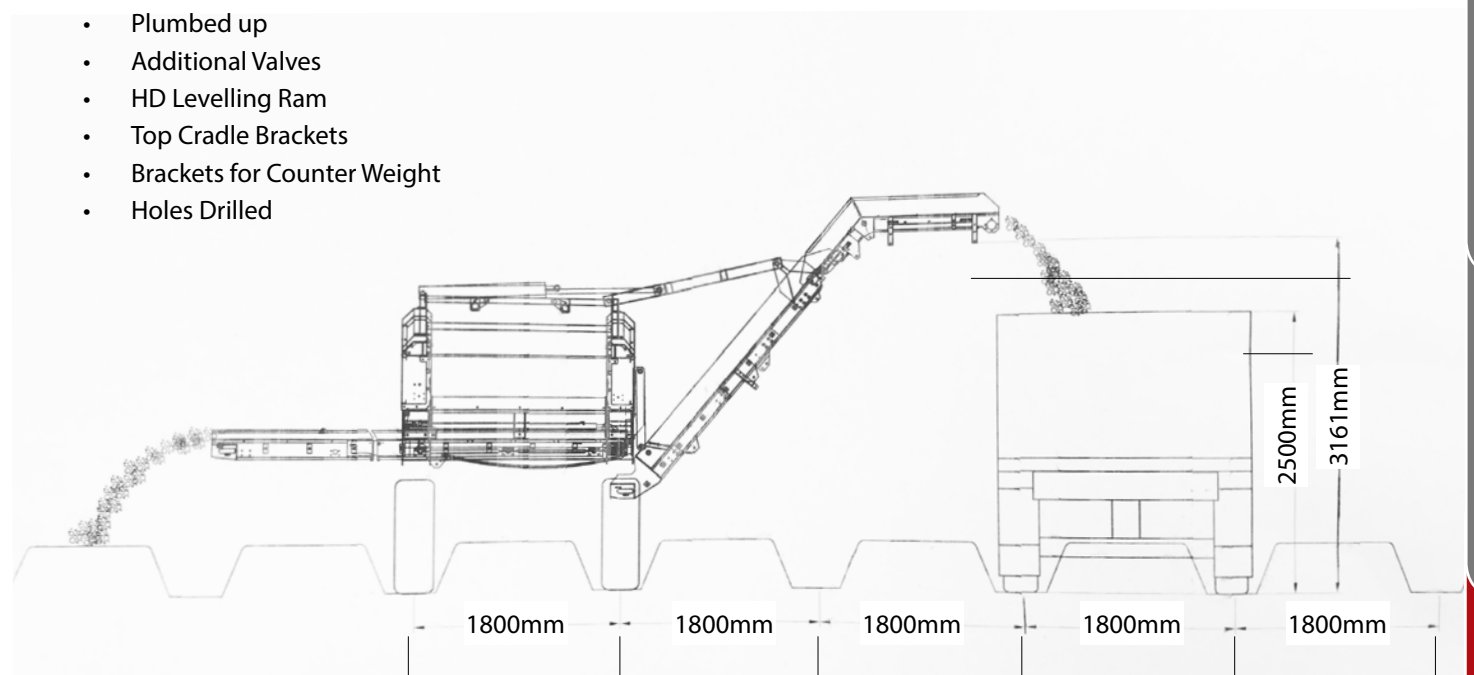
TOPPERS

WINDROWERS

HARVESTERS

### ELEVATOR READY PACK

- Plumbed up
- Additional Valves
- HD Levelling Ram
- Top Cradle Brackets
- Brackets for Counter Weight
- Holes Drilled



# KEY FEATURES

## CONTROL BOX



By pressing the Menu button, you are able to quickly access the different sub menus.



On the first page 'main operations', you can clearly see the position of the wheels and the current settings. You can adjust the depth, the discs and the scrubber web, as well as activate or deactivate the HMS system (Headland Management System)



On the second page of operations, you can see the position of the levelling axle, as well as the warning notifications. From here, you can adjust the scrubber web pressure, and turn on/off auto-depth and auto-levelling. The stone box can also be opened/closed in this menu.



**SPIN/CLICK** for scrolling through options and selecting.

**UP/DOWN:** Scrubber web pressure  
**LEFT/RIGHT:** Cross Conveyor

**UP/DOWN:** Rear Lift  
**LEFT/RIGHT:** Steering (Proportional)  
\* This joystick function is programmable

**UP/DOWN:** Share  
**LEFT/RIGHT:** Levelling



You can see how many hours the machine has done, and you can save and reset trips.



You can see the main info on the machine, such as serial number, year of manufacture and model number.



You can change the language, the brightness and the main page icons, such as stone box opening and closing.



On the settings page, you can access an in-depth adjustments page for all the functions of the machine, such as steering, levelling, depth control and HMS.



On the first page of HMS, you can adjust the delay for the discs to lift and lower at the start and end of the field. You can also choose to stop or restart the scrubber web automatically at each entry or exit.



On the second page of HMS, you can choose to stop or restart the auto levelling and the cross conveyor web. You can also reverse the direction of the cross conveyor web automatically.

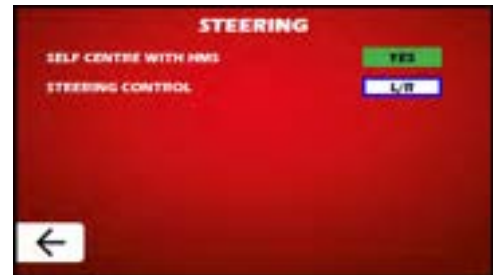


The dealer or service manager can access the advanced settings to adjust options such as the oil flow and setting up a new attachment such as stone box or elevator.

NEXT PAGE  
LAST PAGE  
MAIN MENU



You can adjust the depth control and the sensitivity, as well as the delay. You can choose to activate or deactivate the auto-depth in HMS.



You can choose to activate or deactivate the automatic steering in HMS, and choose the direction of the joystick, whether up and down, or left to right. The steering is proportional.



You can easily calibrate the joysticks so that they are well aligned and precise.



You can easily calibrate the depth, levelling and steering by following the on-screen instructions.



You can choose to activate or deactivate the automatic levelling in HMS, and choose the dead-band delay.

# TESTIMONIALS ●

## WHAT THE FARMERS SAY

William and Alison Skea from ScanStone visited Fairlie Fresh, to see James Fairlie and his father Ian, and find out how they got on with their 2 new 5 Webber destoners after an uninterrupted season.

James and Ian Fairlie, who run the farm at Kirkton of Monikie were very impressed with the performance of the 5 Webbers, and Rab and Ian praised the machine, giving in-depth and constructive feedback which is invaluable to the R&D department at ScanStone's base in Angus.

Coming away from 3 machines, Fairlie Fresh said they were able to make a saving while still achieving the same output in the same number of acres planted.

Rab and Ian commented that the machines were easy to pull with their 2 John Deere 6215R tractors, and there was no boost required throughout the season.

They were able to work both uphill and downhill and commented that they could cover area with the new 5 Webbers that they could not with their previous machines.



## COMING AWAY FROM **3 MACHINES** WE WERE ABLE TO MAKE A **CONSIDERABLE SAVING** WHILE STILL ACHIEVING THE **SAME OUTPUT**

Ian Fairlie mentioned that having the extra 5th drop meant that a lot of areas did not need to be bed tilled, unlike the previous year, offering more flexibility and less cost. He said that they were able to rely on the performance of the destoners, regardless of soil conditions, and said that in a wetter year, the 5 Webbers would really be worth the investment.

Rab and Ian were very impressed with the new Chateau Bed Formers that they had on demo earlier in the season. They mentioned that the destoner followed the Chateau ridges perfectly, and the intake disks of the destoner were exactly where they needed to be to pick up all the soil, while missing any stone. The wheels of the destoner also fitted well into the ridges and prevented the destoner wandering unintentionally. The flatter bed was advantageous in a dry year like this season, as it kept in as much moisture as possible, while

also offering an even intake and even wear across the width of the destoner, they said. The wider steeper bed left by the chateau ploughs meant that the destoner could work less deep and achieve a more than adequate amount of soil behind the bed, Ian remarked. James said that he had never planted in headlands like it.

Comparing the machines to their predecessors, James commented on the soft drive which acted as a shock absorber on the road and reduced strain on both the tractor and machine. Rab and Ian both commented that it was more comfortable when roading the machines from their farm at Kirkton of Monikie, up to Aberdeenshire where they also plant potatoes. The upgraded 8-stud commercial-style axle on the new 5 Webbers meant that road travel was safer, easier and with no maintenance issues.



On their first journey to land 60 miles away, Rab and Ian mentioned that they stopped 3 times to check the temperature of the wheel hubs, but everything was as normal.

Ian Fairlie remarked that the bigger 405 R24 wheels seem to fit perfectly in the rows, and their wider width meant less compaction, while being able to flatten the stones in the bed. The 8-stud upgraded drawbar with pick-up hook, meant hitching to and from the tractor was effortless. Rab mentioned that there was a better clearance at the front of the machine as well.

Working with a longer machine, James was initially unsure about the ease of turning on the headland, however with the increased steering

angle on the new 5 Webber compared to his older machines, the extra length did not pose any issue to manoeuvrability.

When asked if the slight dip in the beds formed by his ScanStone destoner made any impact planting behind with his 6 Row planter, James said that it didn't make a difference to him because the front of the planter had a share to part the soil anyway, and there was always plenty of soil to plant into.

The new control system on the ScanStone is entirely designed, programmed and built in-house meaning that extra functions that drivers find useful can be added without much hassle. Rab and Ian found the control box in the tractor cab easy to

work with, and there were a lot more options for automating processes if desired. For example, within the automatic Headland Management System, Rab and Ian were able to lower the share to the pre-set depth, lower the discs, start up the scrubber web at the pre-set speed, start the cross conveyor in the appropriate direction and centre the wheels under one single button. This meant more attention could be given to adjusting the position of the cross-conveyor frame, ensuring that the stones were always placed precisely between the beds. Rab and Ian both had ideas on how to further improve the control box, which has been taken back to the R&D department at ScanStone's base in Forfar.

## HAVING THE **5TH DROP** MEANT THAT A LOT OF AREAS DID NOT NEED TO BE BED TILLED, UNLIKE THE PREVIOUS YEAR, OFFERING **MORE FLEXIBILITY** AND **LESS COST**

**James & Ian Fairlie**  
*Fairlie Fresh, Scotland*



**ScanStone**  
POTATO SYSTEMS

PARTS

DEALERS

TESTIMONIALS

GALLERY

## IMPROVED RUNNING COSTS OVER THE LAST 3 YEARS

Whitewater Potatoes, at Derachie Farm, Angus took delivery of a new ScanStone destoner in 2017. The machine has now completed 3 seasons with farm manager, Graham Scrimgeour.

Moving from a different brand of destoner in the past, it is fair to say that Graham is delighted with the machine and especially the improved running costs over the last 3 years.

The machine is a ScanStone 4 Webber destoner which has 3 equal length webs and a long rear web complete with a hydraulically driven scrubber web. Growing 300 acres of both seed and ware potatoes, the 4 Webber was extremely versatile for the conditions at Derachie farm. The machine coupled together with his Fendt tractor covered an average of 15 acres per day.

Under Graham's management of Derachie farm, the ScanStone machine, and all machines are all very well maintained out of season, but on the occasion of an in season break down the "parts department up at the ScanStone factory couldn't have been more helpful and there was always plenty of spare parts available" commented Graham Scrimgeour. He went on to add that this was "the beauty of buying locally made products, all the spares you could ever need were always available".

The team at ScanStone were very grateful recipients of a couple of bags of potatoes courtesy of Whitewater Potatoes which was very welcome given the recent COVID-19 restrictions on food shopping.

Graham also runs a ScanStone 1.8m bed tiller as part of his potato planting operation. This has quick change blades.

**Graham Scrimgeour**

*Whitewater Potatoes, Derachie Farm*



## TESTIMONIALS ●

### WHAT THE FARMERS SAY

#### INCREDIBLY LOW REPAIR COSTS ”

'Separating 500 acres a season with the ScanStone 5 Webber resulted in incredibly low repair costs; After 2 seasons and 1000 acres with the machine, the only repairs were a couple of joining rods, the odd joining kit and one digger web. Downtime was kept to a minimum as well which delivered maximum output during the busy spring season.'

**RJ Beever**  
*Woodhall Spa, Lincolnshire*



#### RUNNING COSTS SECOND TO NONE ”

Alan Bartlett & Sons purchased 3 new ScanStone 5 Webber S machines in 2018; Together they have covered 600 acres in a season. Field manager Neil Cotsworth remarked:

'We opted for the ScanStone 5 Webber S because we had to be sure to extract all the small stones prior to sewing Chantenay carrots. Also we found the web machines far easier for operators to drive and maintain than star machines. I found the running costs were second to none.'

**Neil Cotsworth**  
*Alan Bartlett & Sons*

# GALLERY 17

DESTONERS



# GALLERY 18

## DESTONERS



**4 WEBBER**  
DESTONERS



**4 WEBBER**  
DESTONER

PARTS

DEALERS

TESTIMONIALS

GALLERY

# GALLERY 19

---

## DESTONERS



**5 WEBBER S**  
WIDE DESTONER



**5 WEBBER S**  
WIDE DESTONER

# GALLERY 20

## DESTONERS



**5 WEBBER L**  
WITH STAR-TYPE STONE BOX



**5 WEBBER L**  
DESTONER

PARTS

DEALERS

TESTIMONIALS

GALLERY

# GALLERY 21

DESTONERS



ECOSTAR  
DESTONER



ECO STAR  
DESTONER

# GALLERY 22

## DESTONERS



**ECOSTAR DESTONER**  
WITH RAKE-TYPE STONE BOX



**VARI STAR DESTONER**  
WITH STAR TYPE STONE BOX

PARTS

DEALERS

TESTIMONIALS

GALLERY

# GALLERY 23

## DESTONERS



**STONE HARVESTING  
ELEVATOR**

# GALLERY 24

DESTONERS



**STONE HARVESTING  
ELEVATOR**

PARTS

DEALERS

TESTIMONIALS

GALLERY